



Geldbach UK Ltd

Carbon and Alloy Steel Fittings and Flanges

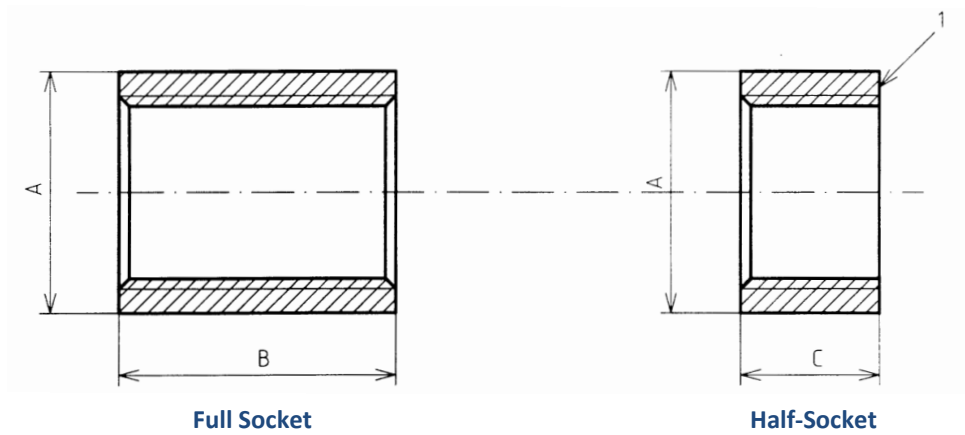


EN10241:2000 (BS1740)

Wrought Iron Fittings

Geldbach UK Ltd 
Carbon and Alloy Steel Pipe, Fittings & Flanges

Sockets and Half-Sockets (Heavy)

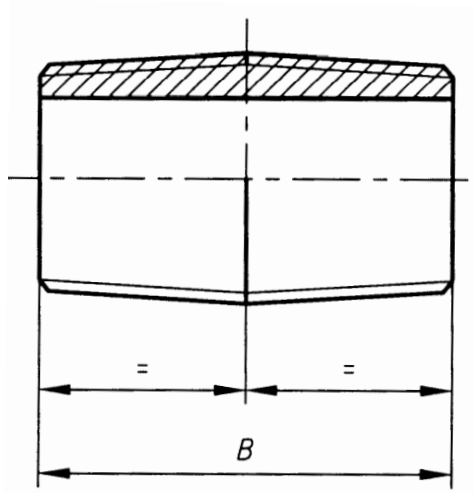


Nominal Size	Minimum Outside Diameter (A)	Overall Length of Socket (B)	Overall Length of Half-Socket (C)
DN	mm	mm	mm
6	15.0	19	8
8	18.5	27	11
10	22.0	28	12
15	27.0	37	16
20	32.5	39	19
25	39.5	46	21
32	49.0	51	25
40	56.0	51	25
50	68.0	60	28
65	84.0	69	30
80	98.0	75	35
100	124.0	87	40
125	151.0	96	44
150	177.0	96	44

Pipe Nipples

Nominal Size	Minimum Outside Diameter	Overall Length (A)													
		mm													
6	15.0	30	40	50	60	80	100	120	150	180	200	250	300	-	-
8	18.5	30	40	50	60	80	100	120	150	180	200	250	300	-	-
10	22.0	30	40	50	60	80	100	120	150	180	200	250	300	-	-
15	27.0	-	40	50	60	80	100	120	150	180	200	250	300	-	-
20	32.5	-	40	50	60	80	100	120	150	180	200	250	300	-	-
25	39.5	-	-	50	60	80	100	120	150	180	200	250	300	-	-
32	49.0	-	-	50	60	80	100	120	150	180	200	250	300	-	-
40	56.0	-	-	50	60	80	100	120	150	180	200	250	300	-	-
50	68.0	-	-	-	60	80	100	120	150	180	200	250	300	-	-
65	84.0	-	-	-	-	80	100	120	150	180	200	250	300	-	-
80	98.0	-	-	-	-	80	100	120	150	180	200	250	300	400	-
100	124.0	-	-	-	-	-	100	120	150	180	200	250	300	400	-
125	151.0	-	-	-	-	-	-	120	150	180	200	250	300	400	500
150	177.0	-	-	-	-	-	-	120	150	180	200	250	300	400	500

Close Nipples



Nominal Size	Overall Length (A)	Tolerance
DN	mm	mm
8	27	1.5
10	28	
15	37	
20	39	
25	46	
32	51	
40	51	
50	60	+3.0
65	69	
80	75	
100	87	
125	96	
150	96	